

Shown: ZAJ-06505S2C



ZAJ-series

These heavy-duty air driven pumps are well suited for use in production applications.

Available with a P & T manifold for use with remote mounted VP, VP03, VSS or VST zero leakage class valves, or with either single or dual pump mounted 2-position/3-way normally Closed valves 24 VDC solenoid valves.

Collet-Lok® products

Swing clamps

Work Supports

Linear Cylinders

Power Sources

Heavy-duty Air Powered Pump

- Suited for use in production applications
- 3,8 litre steel reservoir with sight glass, mounting flange.

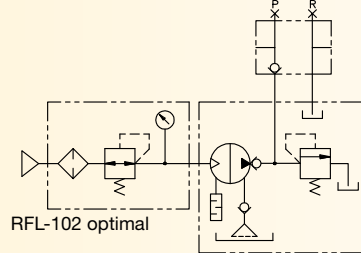
Flow: 2,0 l/min @ 0 bar
1,0 l/min @ 140 bar

Pressure: 350 bar max.

- Ⓔ Bombas hidroneumáticas
- Ⓕ Pompes hydro-pneumatiques
- Ⓓ Lufthydraulische pumpen

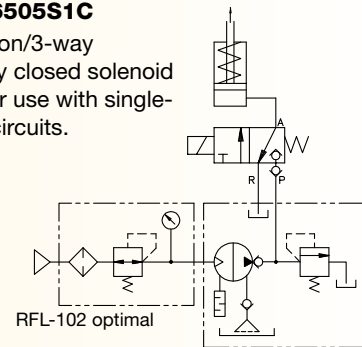
ZAJ-06505M1

Pressure and tank manifold for use with remote mounted valves.



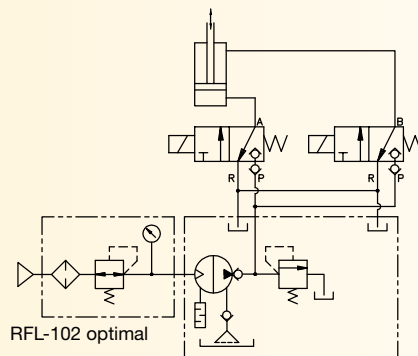
ZAJ-06505S1C

2-position/3-way normally closed solenoid valve for use with single-acting circuits.



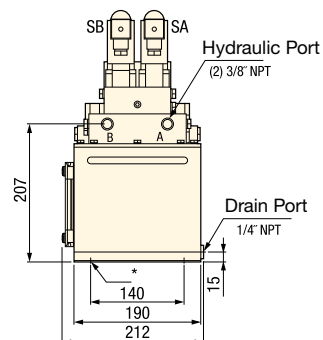
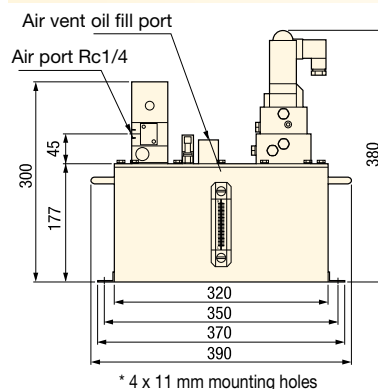
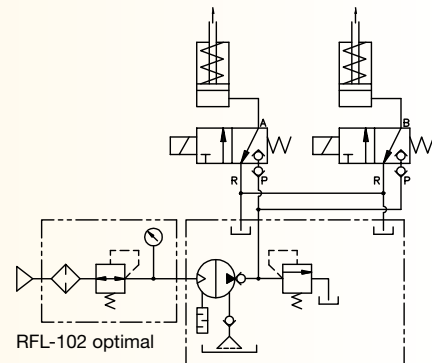
ZAJ-06505S2C

Dual 2 position/3 way normally closed solenoid valves for use with double-acting circuits.



ZAJ-06505S2C

Dual 2 position/3 way normally closed solenoid valves for use with two independent single-acting circuits.



Supplied valving	Valve solenoid voltage	Model number	Air pressure range bar	Oil ports NPTF	Air consumption l/min	kg
Pressure and tank manifold	-	ZAJ-06505M1	1,0 - 6,9	3/8"	510	22,2
Single 2 pos./3 way solenoid valve	24 VDC	ZAJ-06505S1C	1,0 - 6,9	3/8"	510	22,2
Dual 2 pos./3 way solenoid valve	24 VDC	ZAJ-06505S2C	1,0 - 6,9	3/8"	510	22,2